

Retainer X Series. Retainer with quick-release to fix the X Series Monitor Defibrillator (manufacturer: ZOLL Medical) in vehicles.

Instruction manual (English)



Content

Introduction..... 3

 General information 3

 System-specifications 5

Working with the Retainer X Series 14

Service and maintenance 17

 General information 17

 Cleaning and disinfection 17

 Control and function check-out 17

 Contact 17

Introduction

General information

Application

Retainer with quick-release function to fix the X Series Monitor Defibrillator into vehicles. The retainer is for sole use of the X Series Monitor Defibrillator (manufacturer: ZOLL Medical). The X Series Monitor Defibrillator („X Series Defibrillator“) is available with different bags in two different product sizes of the retainer. To allow the optimal working position of the X Series Defibrillator the retainer can be attached fix or rotatable to walls and fixed on tables. For both mounting positions an electric power supply is optionally available for battery charging.

Electrical power supply

The original power supply pack of ZOLL Medical is included in the retainer. Performance data see technical data. Information on the electrical power supply:

Grounding reliability can be achieved only when the equipment is connected to a receptacle marked “HOSPITAL ONLY,” “HOSPITAL GRADE,” or equivalent.

For further information see original ZOLL X Series manual.

Patient safety

The retainer shall only be used by trained personal after reading the instruction manual. There is no direct contact between the retainer and the patient. If technical problems never can be suspend it is recommended to have multiple battery for power supply of the X Series Defibrillator at any time.

Installation

The installation of the retainer shall only be completed by trained personal. Find the assembly manual at the installation drawing of the relevant retainer. Grounding reliability can be achieved only when the equipment is connected to a receptacle marked “HOSPITAL ONLY,” “HOSPITAL GRADE,” or equivalent and the retainer is grounded by the grounding connection.

Maintenance

Wearing locations which create additional noise from vibration can be lubricated.










Cleaning agents for the retainer get in contact with the following materials: stainless steel, aluminium, plastic.

For any damages caused by improper use or technical service by non-authorized personal Procamed AG does not assume any responsibility.

User responsibility

The sole responsibility for the utilisation of the X Series Defibrillator is with the product user.

Explanation of used symbols

	Manufacturer as defined in EU directive 93/42/EC		
	Catalogue number		Serial number
	Consult instruction for use		Caution
	Humidity limitation		CE Symbol for conformity
	Temperature limit		Symbol indicating separate collection for EEE

System-specifications

Environmental conditions

	Operations	Transport and storage
Temperature	0 – 50°C	0 – 50°C
Relative air humidity	15 – 75%	15 – 75%
Atmospheric pressure	572 – 1034hPa	572 – 1034hPa

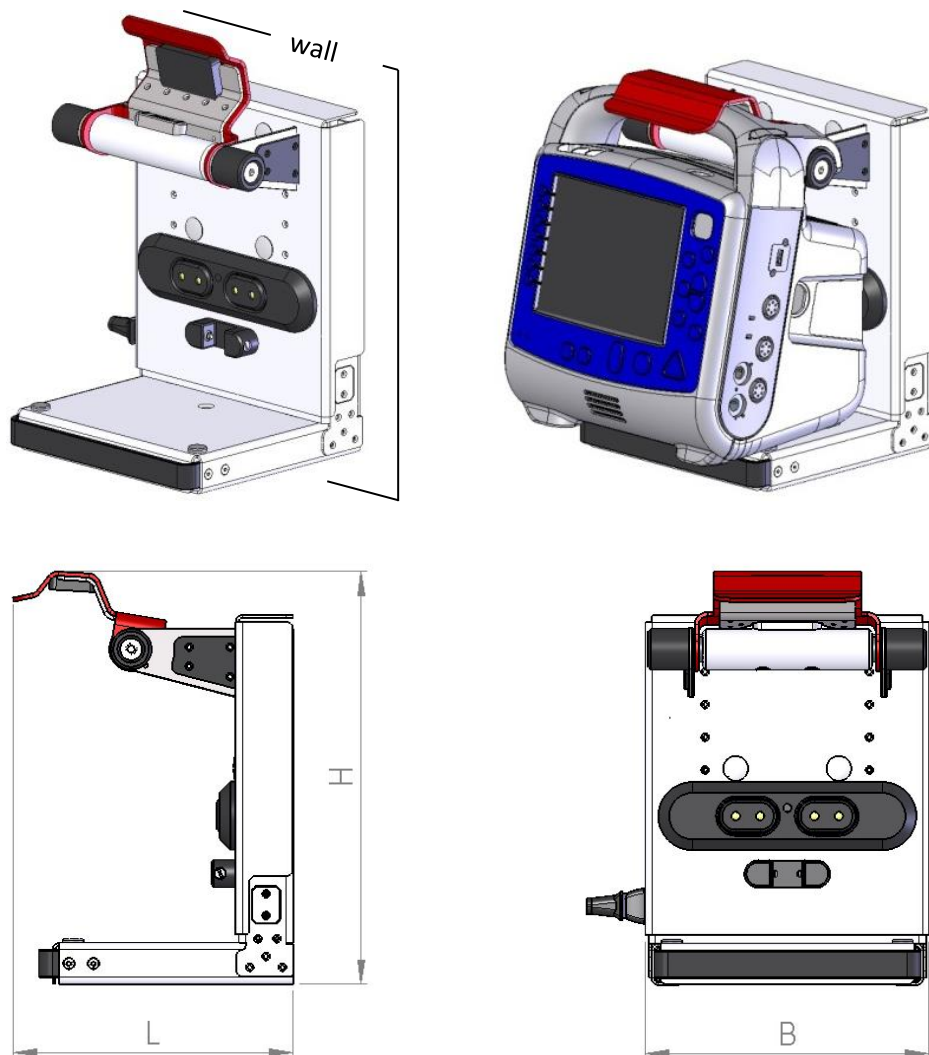
Technical data

Electric power supply	Input :	100 – 240V~ 50 – 60Hz 2.0A 100 – 115V~ 400Hz 2.0A
	Output :	14.5V= 4.15A 80W (peak)

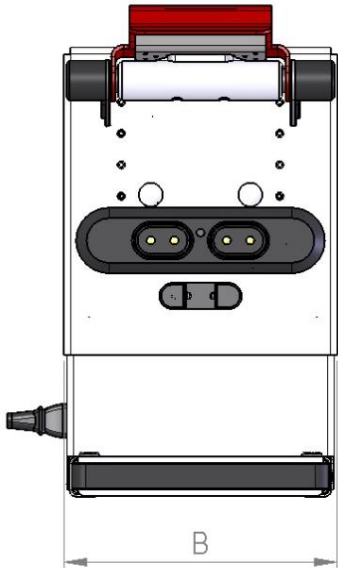
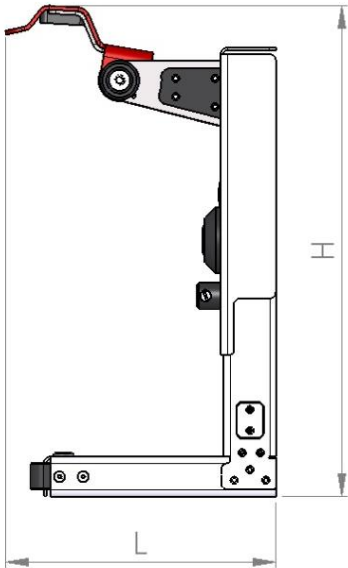
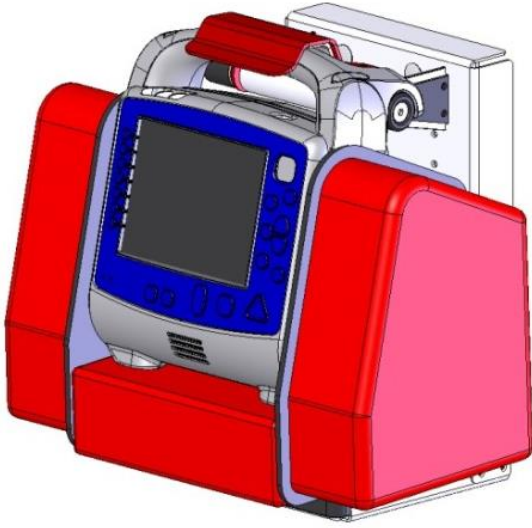
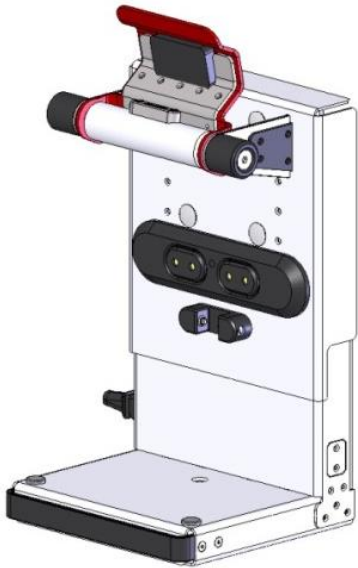
Wall fastening options

Article no.:	101419-01:	Retainer X Series (without power supply)
	Weight :	2.5kg dimensions (LxBxH): 206x209x304mm
	101419-02:	Retainer X Series extended (without power supply)
	Weight:	2.5kg dimensions (LxBxH): 206x209x376mm
	101419-03:	Retainer X Series LH (with power supply)
	Weight :	3.0kg dimensions (LxBxH): 206x209x304mm
	101419-04:	Retainer X Series LH extended (with power supply)
	Weight :	3.0kg dimensions (LxBxH): 206x209x376mm
	101419-05:	Retainer X Series RH (with power supply)
	Weight :	3.0kg dimensions (LxBxH): 206x209x304mm
	101419-06:	Retainer X Series RH extended (with power supply)
	Weight :	3.0kg dimensions (LxBxH): 206x209x376mm

101419-03



101419-04

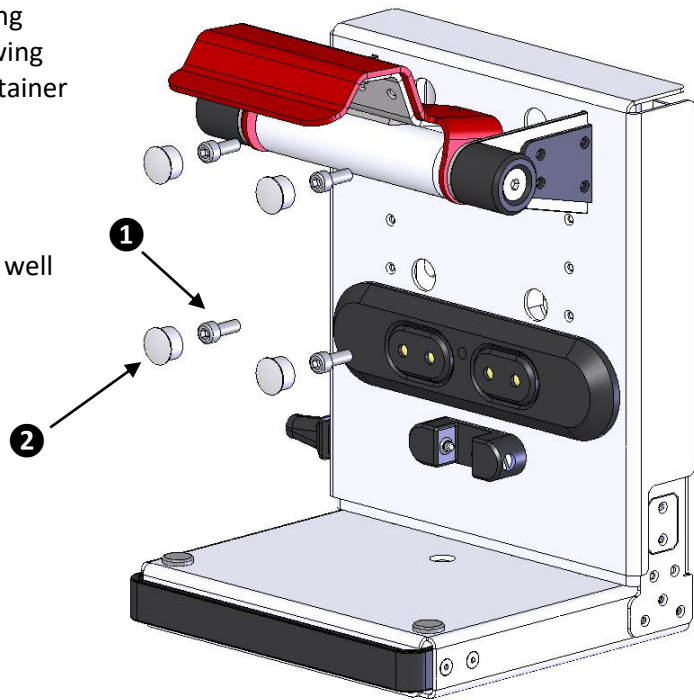


Installation

The installation of model no 101419-01 to -06 is identical.
Shown below on model 101419-03.

The screws (4 pcs.) **1** with their tightening torque are defined in the installation drawing 101419. To guarantee the safety of the retainer the screw must be used with comparable mechanical characteristics and identical diameter.

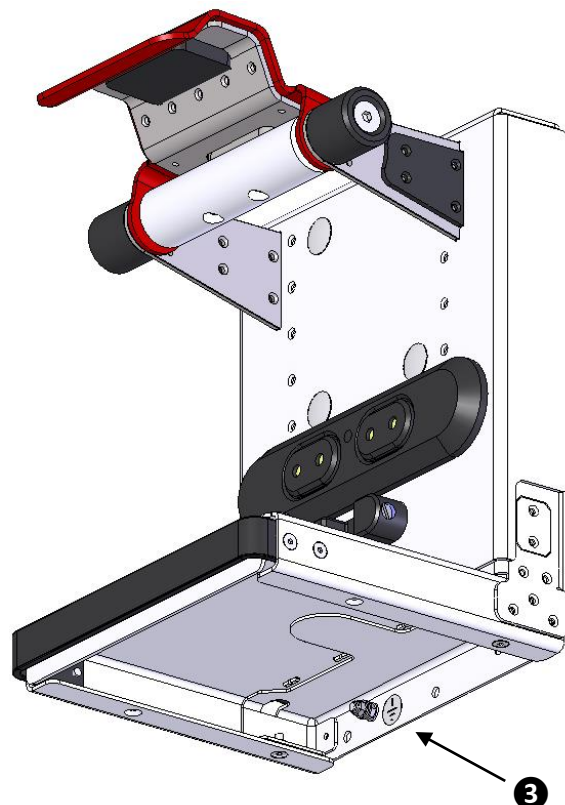
The caps **2** protect from dirt and give as well an optical touch.



Grounding

The grounding for models no 101419-01 to -06 is identical.
Shown below on model 101419-03.

The grounding connection **3** is located on the bottom side of the retainer. For further information see the installation drawing 101419.

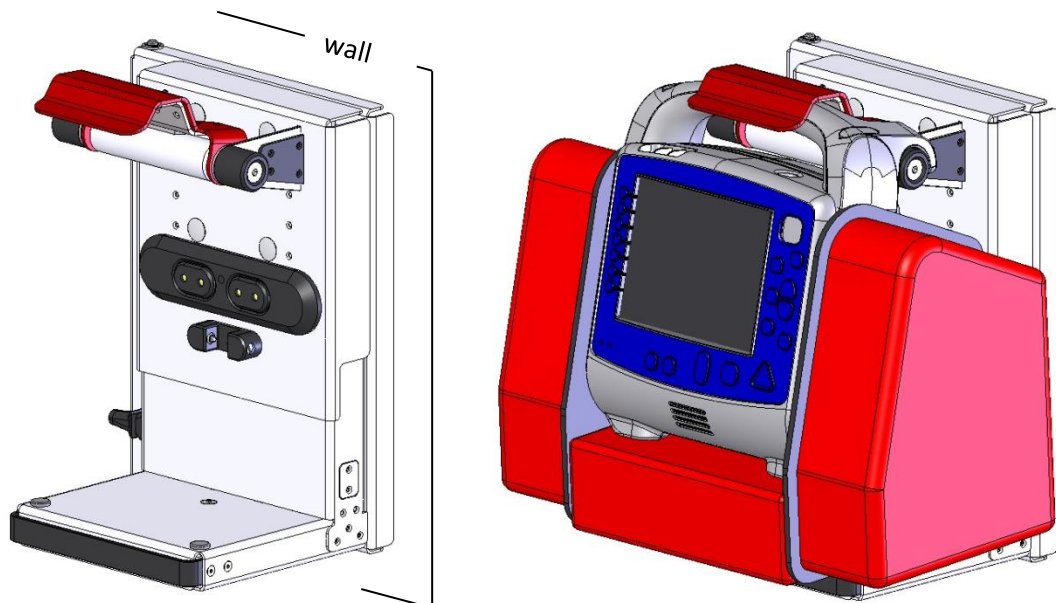


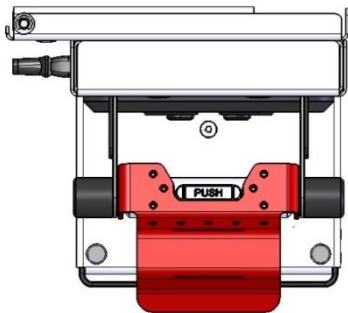
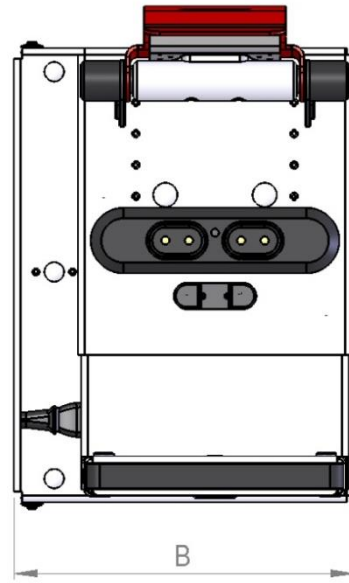
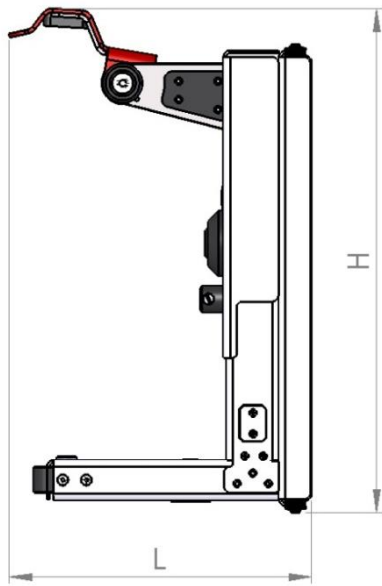
Rotatable wall mounting options

Swivel range : 0° – 50°, six swivel positions

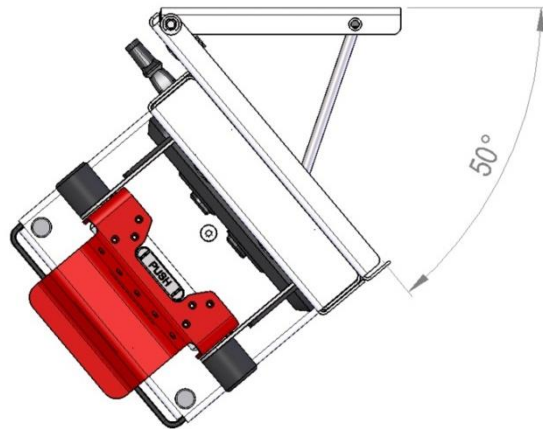
Article no.	101420-01:	Retainer X Series LH (without power supply)
	Weight:	4.3kg dimensions (LxBxH): 231x260x358mm
	101420-02:	Retainer X Series LH extended (without power supply)
	Weight:	4.3kg dimensions (LxBxH): 231x260x385mm
	101420-03:	Retainer X Series RH (with power supply)
	Weight:	4.8kg dimensions (LxBxH): 231x260x358mm
	101420-04:	Retainer X Series RH extended (without power supply)
	Weight:	4.3kg dimensions (LxBxH): 231x260x385mm
	101420-05:	Retainer X Series LH (with power supply)
	Weight:	4.8kg dimensions (LxBxH): 231x260x358mm
	101420-06:	Retainer X Series LH extended (with power supply)
	Weight:	4.8kg dimensions (LxBxH): 231x260x385mm
	101420-07:	Retainer X Series RH (with power supply)
	Weight:	4.8kg dimensions (LxBxH): 231x260x358mm
	101420-08:	Retainer X Series RH extended (with power supply)
	Weight :	4.8kg dimensions (LxBxH): 231x260x385mm

101420-06





View from above
Retainer retracted



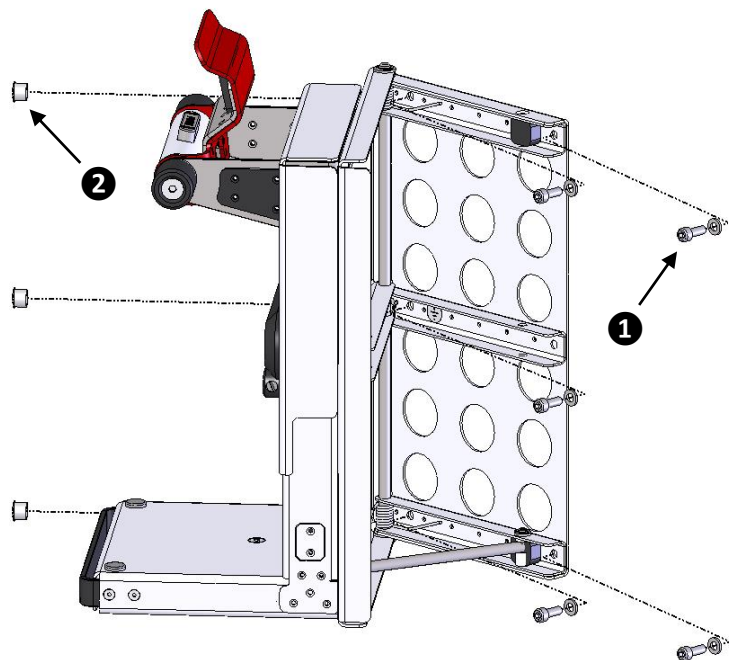
View from above
Retainer swivelled out

Installation

The installation of model no 101420-01 to -08 is identical.
Shown below on model 101420-06.

The screws (5 pcs.) **1** with their tightening torque are defined in the installation drawing 101420. To guarantee the safety of the retainer the screw must be used with comparable mechanical characteristics and identical diameter.

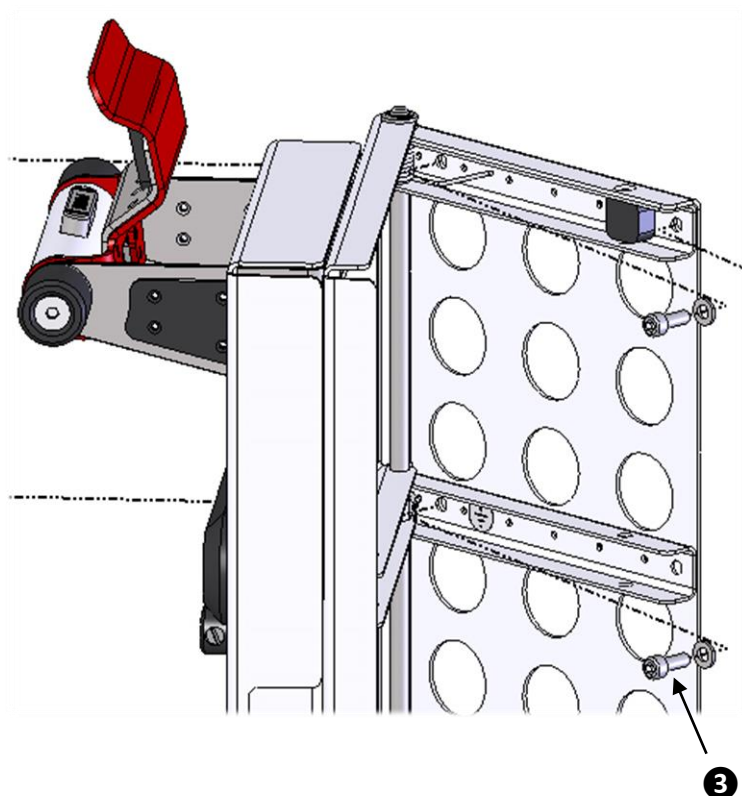
The caps **2** protect from dirt and give as well an optical touch.



Grounding

The grounding for models no 101420-01 to -08 is identical.
Shown below on model 101420-06.

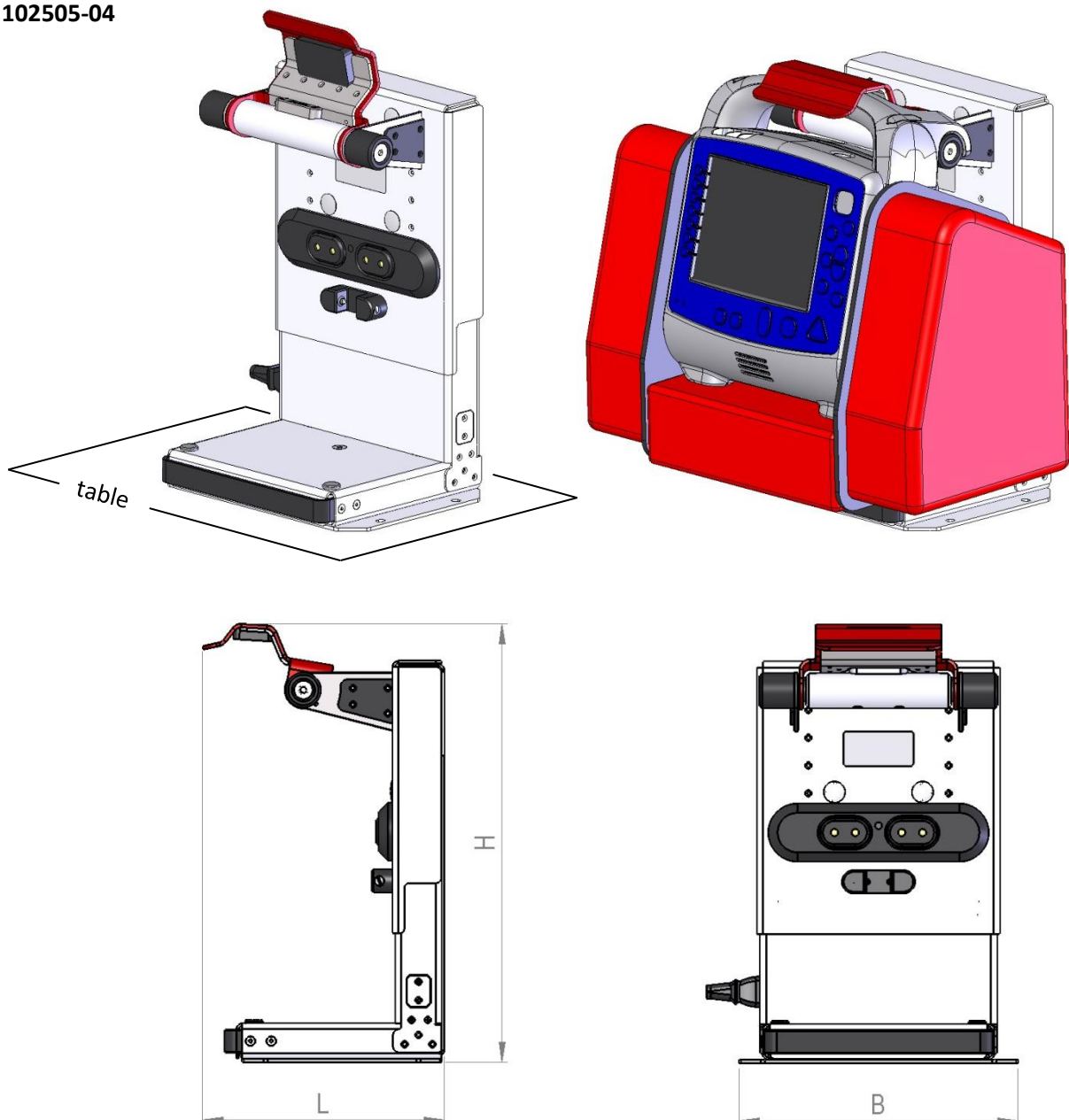
The grounding connection is realised via the mounting screw **3**.
For further information see the installation drawing 101420.



Desk mounting options

Article no.	102505-01:	Retainer X Series (without power supply)
	Weight :	3.3kg dimensions (LxBxH): 208x240x307mm
	102505-02:	Retainer X Series extended (without power supply)
	Weight :	3.5kg dimensions (LxBxH): 208x240x379mm
	102505-03:	Retainer X Series LH (with power supply)
	Weight :	3.8kg dimensions (LxBxH): 208x240x307mm
	102505-04:	Retainer X Series LH extended (with power supply)
	Weight:	4.0kg dimensions (LxBxH): 208x240x379mm
	102505-05:	Retainer X Series RH (with power supply)
	Weight :	3.8kg dimensions (LxBxH): 208x240x307mm
	102505-06:	Retainer X Series RH extended (with power supply)
	Weight :	4.0kg dimensions (LxBxH): 208x240x379mm

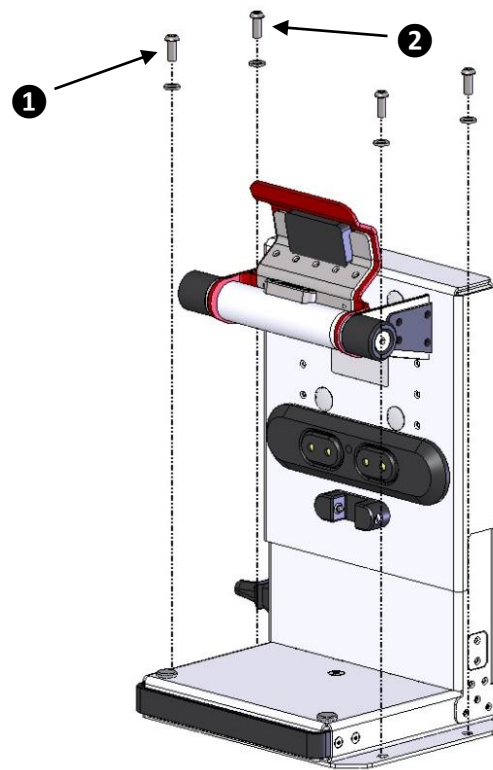
102505-04



Installation

The installation of model no 102505-01 to -06 is identical.
Shown below on model 102505-04.

The screws (4 pcs.) **1** with their tightening torque are defined in the installation drawing 101420. To guarantee the safety of the retainer the screw must be used with comparable mechanical characteristics and identical diameter.



Grounding

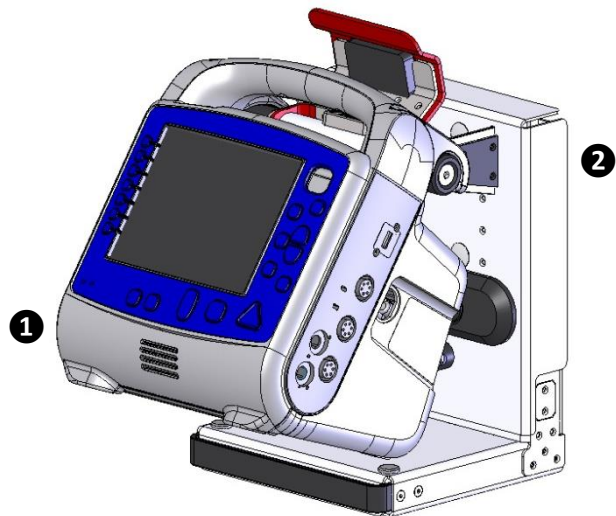
The grounding for models no 102505-01 to -06 is identical.
Shown above on model 102505-04.

The grounding connection is realised via the mounting screw **2**. For further information see the installation drawing 102505.

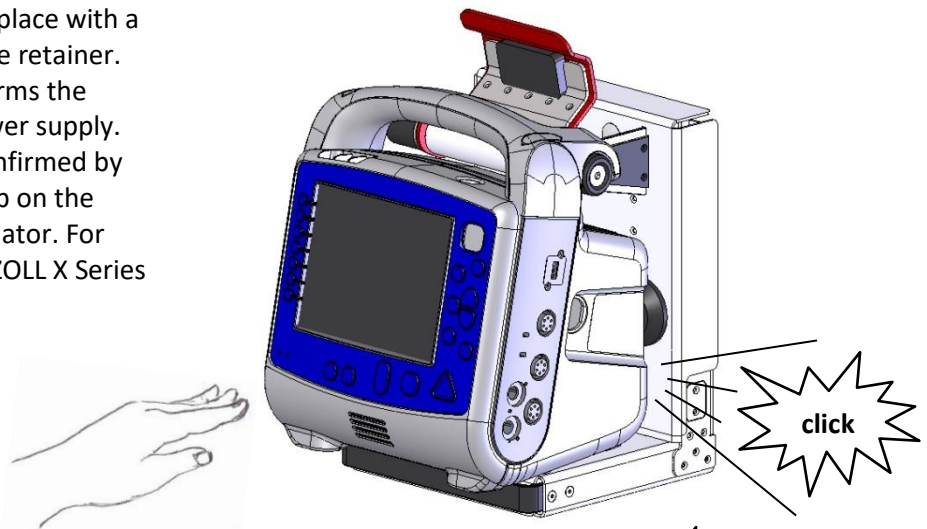
Working with the Retainer X Series

Lock device (identical for all models, below shown on model 101419-03)

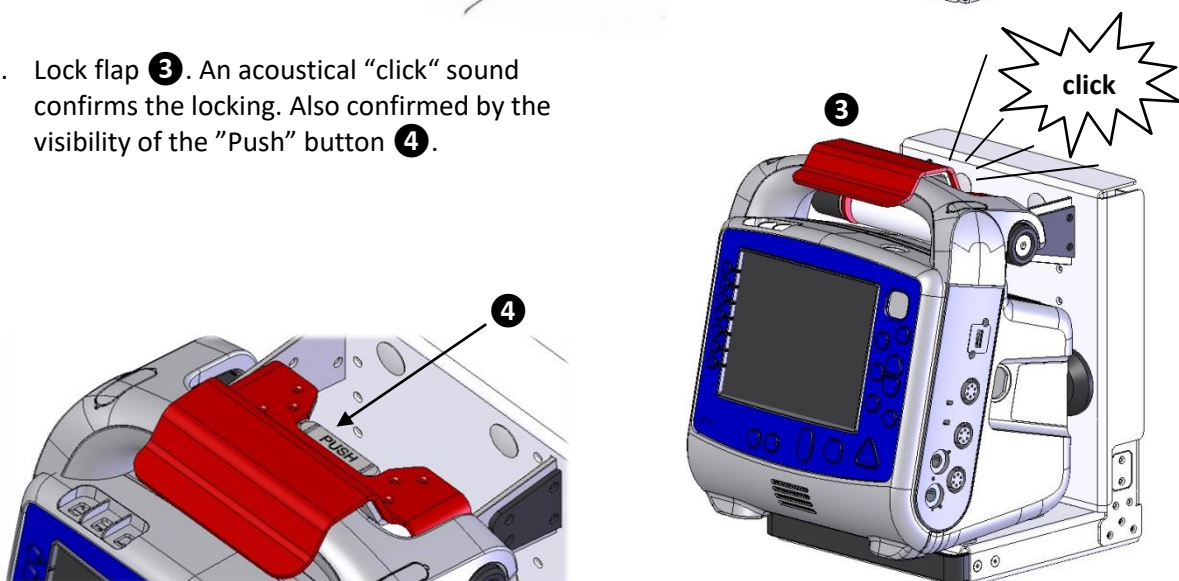
1. Hooking X Series Defibrillator **1** in the retainer **2**.



2. Click the X Series Defibrillator in place with a soft push at the lower edge in the retainer. An acoustical “click” sound confirms the correct lock and enables the power supply. The charging of the battery is confirmed by the lightening of the control lamp on the front side of the X Series Defibrillator. For further information consult the ZOLL X Series manual.

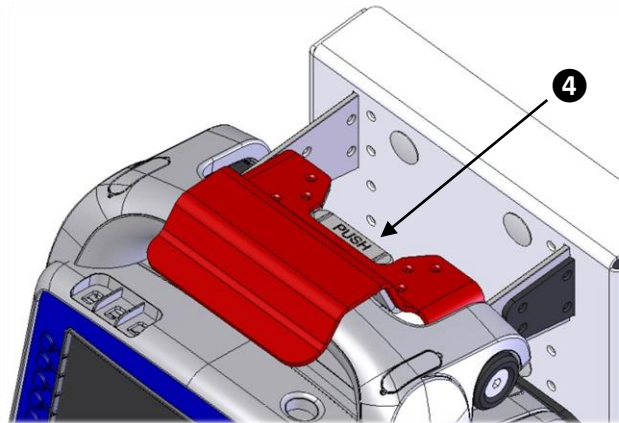


3. Lock flap **3**. An acoustical “click” sound confirms the locking. Also confirmed by the visibility of the “Push” button **4**.

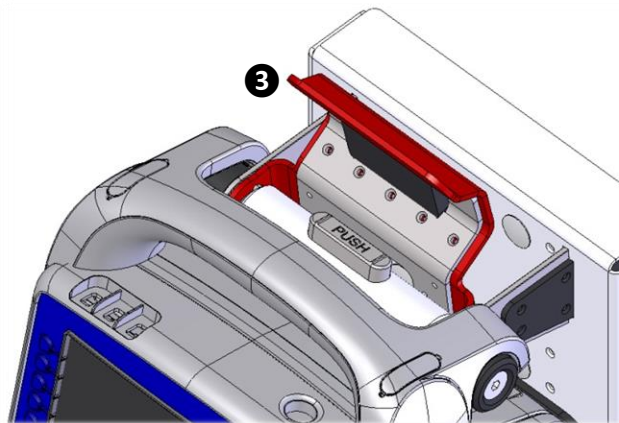


Unlock device (identical for all models, shown below on model 101419-03)

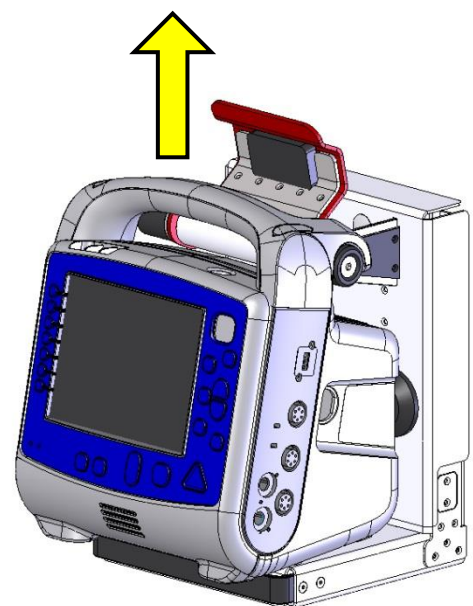
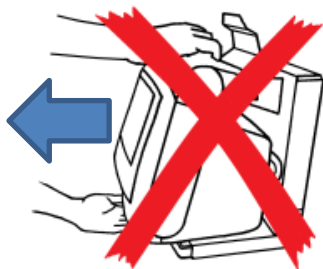
1. Press “Push”-button **4**.



2. Rotate lock flap **3**



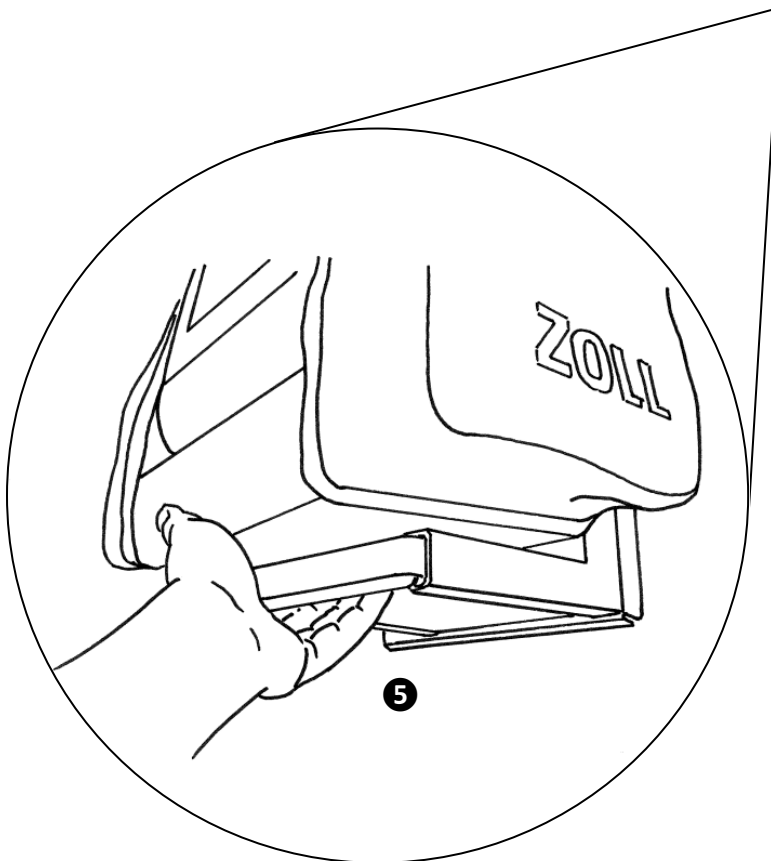
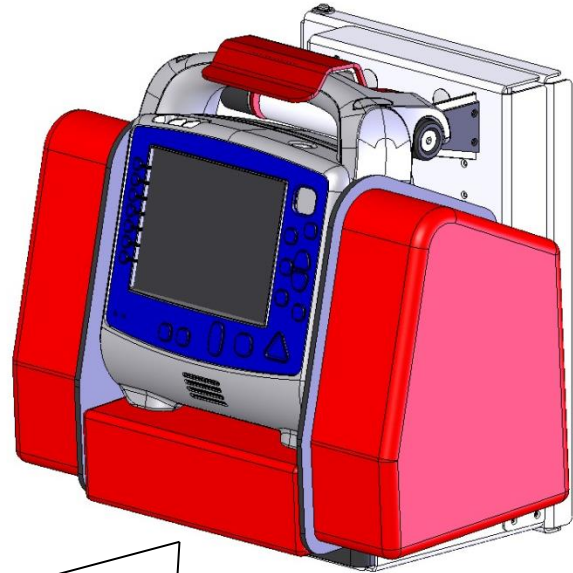
3. Lift the X Series Defibrillator vertically up from the retainer.



Rotate retainer (identical for models 101420-01 to -08, below shown on model 101420-06)

1. Pull handle **5** on the button of the retainer and put into the required position. Release handle and lock the swinging arm.

Six positions are available.



Service and maintenance

General information

The retainer does not require any maintenance. Should the retainer start causing wear noises it is recommended to lubricate certain location.

For any damages caused by improper use or technical service by non-authorized personal the manufacturer does not assume any responsibility.

Cleaning and disinfection

Common standard cleaning and disinfection agents can be used for the retainer. Cleaning and disinfection agents for the retainer get in contact with the following materials: stainless steel, aluminium, plastic.

Control and function check-out

- Conduct visible checks for defects and wear.
- Check moving parts for proper movement and functionality.
- Check the charging functionality by the lightning of the control lamps on the X Series Defibrillator.

Contact

For further information please contact Procamed AG.

Procamed AG
Schulstrasse 5
CH-8355 Aadorf
Phone +41 (0)52 368 60 00
Fax +41 (0)52 368 60 01
E-mail info@procamed.ch

